

All rights reserved by **CNH Industrial**.

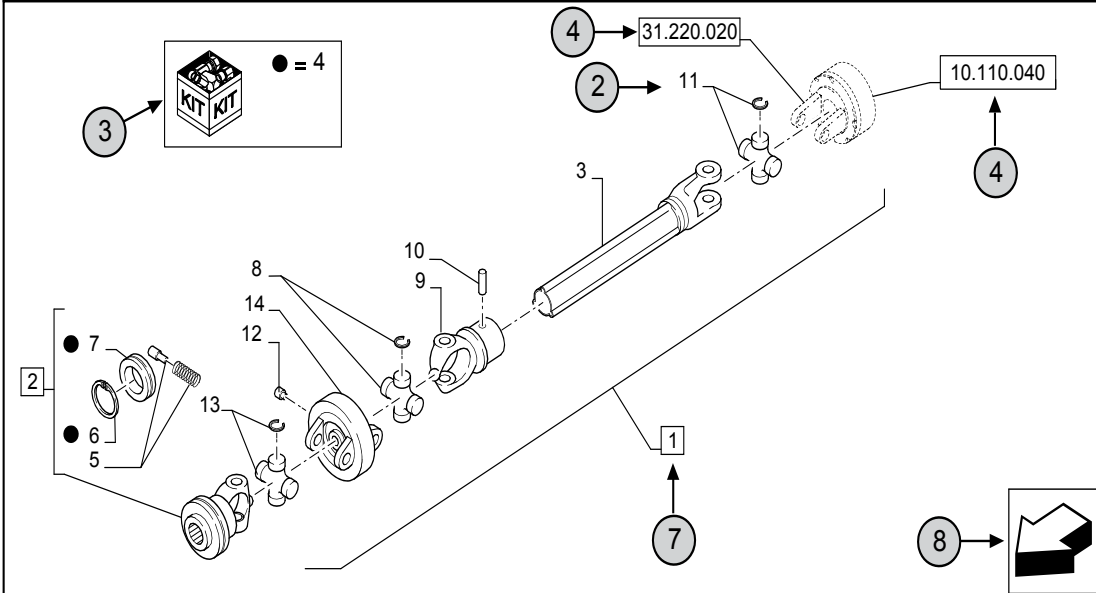
The information contained in this catalogue is intended to be of a general nature only. **CNH Industrial** may at any time and from time to time, for technical or other necessary reasons, modify any of the details or specifications of the product described in this catalogue.

To be sure of getting accurate, detailed and up-to-date information, an intending buyer should consult his nearest **CNH Industrial** dealer or distributor.

Single item numeration method used in this catalogue may not be used without written consent from **CNH Industrial**

31.220.010	01	p1	10/2014
------------	----	----	---------

VAR - 123782, 789101,987654 - PTO - D650



STANDARD ← (6)


(23)	(9)	(10)	31.220.010	01	p1	10/2014
------	-----	------	------------	----	----	---------

VAR - 123782, 789101,987654 - PTO - D650

(11) (12) (13) (14)

REF	FN	PART NUMBER	YR/SN	QTY	DESCRIPTION
1	1	86529340	(20)	1	SHAFT PTO, Incl 2 - 11
2	(15)	84014007		1	YOKE, Incl 4 - 7 ← (7)
3	(16)	NSS		1	NOT SERVICED SEPARATELY, SHAFT, 350mm, Incl in 1
4		84004292		1	KIT, Seal Kit, Incl 6, 7 (17)
4		{84058743}		1	KIT, Seal Kit, Incl 6, 7
(2)	(18)	(19)		(21)	(22)
		1 = FOR ITALY ONLY ← (5)			

MODELS ← (1)

- 1 Model Number and Model Description
- 2 Reference - Figure call-out of the part number.
- 3 Parts supplied in repair kits per symbol reference.
- 4 31.220.020 Part illustrated on the **Page** or in the **Figure** indicated, or calls for **Variations** or **Details**. Indicates components shown in detail elsewhere in the catalogue under the figure number shown.
- 5 Footnote references
- 6 Figure notes
- 7 1 2 Includes item(s) ..... (See Description within partlist).
- 8 Orientation. (Arrow indicates front of the machine). 
- 9 Figure description.
- 10 General information of the figure.
- 11 Figure title number that aligns with the SRT. Standard Repair Time.
- 12 **Sequence** code within the assembly.
- 13 Page number within the sequence code.
- 14 **Date** of printing or updating of page (month-year).
- 15 **Note** - Relating to the Part Number. There is a key to symbols and abbreviations at the bottom of the text page.
- 16 Non-serviced parts.
- 17 Further description of the part to help confirm identification.
- 18 Not available as service part.
- 19 Part Number.
- 20 To be defined.
- 21 Total **Quantity** of the Part referred to in the page.  
The quantity can be replaced by the following indications:  
**AR** = quantity as requested.
- 22 Part **Description**.
- 23 Variant Codes

---

## TABLE OF CONTENTS

---

88.035.04		DIA KIT, 2 FRONT REMOTE F/REAR KONTAK
88.090.01		DIA KIT, FRONT FENDER (L=310) 4WD
88.090.02		DIA KIT, FRONT FENDER (F/FRONT AXLE CL.2)(4WD)
88.090.03		DIA KIT, FRONT FENDERS (L=400) (4WD)
0.0040		VARIATION
0.0040/1		VARIATION
0.0040/2		VARIATION
0.01.1		INITIAL STOCKING LIST (LIST A)
0.01.1	01	CAPACITIES
0.05.4	01	MAINTENANCE PARTS - FILTERS
0.05.4	02	MAINTENANCE PARTS - STARTER MOTOR, ALTERNATOR, BELTS
0.05.4	03	MAINTENANCE PARTS - FUSES
0.05.4	04	MAINTENANCE PARTS - BULBS
0.05.4	04	MAINTENANCE PARTS - BULBS
0.05.4	05	MAINTENANCE PARTS - PUMPS
DEALER		NO. AMER. INITIAL STOCKING LIST (ISL)
MAIN		MAIN SECTION
MPARTS	01	MAINTENANCE PARTS
0.02.1		ENGINE
0.02.1/ 1		(VAR.007) NASO - MOTORS CONFORM TO EMISSION RULES
0.02.1/ 2		(VAR.007/1) NASO - MOTOR TO EMISSION STANDARDS
0.02.1/ 3		(VAR.039) STANDARD - EMISSIONIZED ENGINE
0.02.1/ 4	01	(VAR.123) EMISSIONIZED ENGINE
0.02.1/ 4	02	(VAR.123) EMISSIONIZED ENGINE
0.02.1/ 5		(VAR.123/1) EMISSIONIZED ENGINE - POWER SHUTTLE VERSION
0.02.1/ 6		(VAR.275-279) POWER SHUTTLE - HI-LO - 30-40 KM\H - HYDRAULIC PTO - MOTORS AND FLYWHEEL
0.02.1/ 7		(VAR.727) SYNCHRO MESH GEARED POWER TAKE -OFF 540 RPM - CLUTCH AND P.T.O. SHAFTS
0.02.1/ 8		(VAR.729) SYNCHRO MESH GEARED POWER TAKE -OFF 540 - 750 - 1000 RPM - SHAFT CLUTCH AND P.T.O.
0.04.0	01	CRANKCASE AND CYLINDERS
0.04.0	02	CRANKCASE AND CYLINDERS
0.04.2	01	OIL SUMP
0.04.2	02	OIL SUMP
0.04.3	01	ENGINE COVERS & GASKETS
0.04.3	02	ENGINE COVERS & GASKETS
0.06.0	01	CYLINDER HEAD - BEFORE ENGINE S/N 776978
0.06.0	01A	CYLINDER HEAD - AFTER S/N 776979

---

## TABLE OF CONTENTS

---

0.06.0	02	CYLINDER HEAD
0.06.0	03	CYLINDER HEAD
0.06.0/ 1		(VAR.123) EMISSIONIZED ENGINE - CYLINDER HEAD AND ROTATING WEIGHTS
0.07.1		INTAKE MANIFOLD
0.07.1/ 1		(VAR.204) LOW TEMPERATURE STARTING AIDS
0.07.6		EXHAUST MANIFOLD
0.08.0		CRANKSHAFT - FLYWHEEL
0.08.1		CONNECTION ROD
0.08.2	01	PISTONS - BEFORE ENGINE S/N 776978
0.08.2	01A	PISTONS - AFTER ENGINE S/N 776979
0.08.2/ 1		(VAR.123) EMISSIONIZED ENGINE - PISTON, RINGS AND PIN
0.08.4		CAMSHAFT & GEARS
0.10.5	01	DYNAMIC BALANCER, GEARS & SHAFTS
0.10.5	02	DYNAMIC BALANCER, GEARS & SHAFTS
0.14.0	01	FUEL SYSTEM - INJECTION PUMP - BEFORE ENGINE S/N 776978
0.14.0	01A	FUEL SYSTEM - INJECTION PUMP - AFTER ENGINE S/N 776979
0.14.0	02	FUEL SYSTEM - INJECTION PUMP - BEFORE ENGINE S/N 776978
0.14.0	02A	FUEL SYSTEM - INJECTION PUMP - AFTER ENGINE S/N 776979
0.14.0	03	FUEL SYSTEM - INJECTION PUMP - BEFORE ENGINE S/N 776978
0.14.0	03A	FUEL SYSTEM - INJECTION PUMP - AFTER ENGINE S/N 776979
0.14.0/ A	01	FUEL SYSTEM - INJECTION PUMP
0.14.0/ A	02	FUEL SYSTEM - INJECTION PUMP
0.14.0/ A	03	FUEL SYSTEM - INJECTION PUMP
0.14.0/ B	01	FUEL SYSTEM - INJECTION PUMP
0.14.0/ B	02	FUEL SYSTEM - INJECTION PUMP
0.14.0/ B	03	FUEL SYSTEM - INJECTION PUMP
0.14.0/ C	01	FUEL SYSTEM - INJECTION PUMP
0.14.0/ C	02	FUEL SYSTEM - INJECTION PUMP
0.14.0/ C	03	FUEL SYSTEM - INJECTION PUMP
0.14.0/ D	01	FUEL SYSTEM - INJECTION PUMP
0.14.0/ D	02	FUEL SYSTEM - INJECTION PUMP
0.14.0/ D	03	FUEL SYSTEM - INJECTION PUMP
0.14.0/ E	01	FUEL SYSTEM - INJECTOR - BEFORE ENGINE S/N 776978
0.14.0/ E	02	FUEL SYSTEM - INJECTOR - BEFORE ENGINE S/N 776978
0.14.0/ E	03	FUEL SYSTEM - INJECTOR - BEFORE ENGINE S/N 776978
0.14.0/ F		FUEL SYSTEM - INJECTOR - BEFORE ENGINE S/N 776978

---

## TABLE OF CONTENTS

---

0.14.0/ G		FUEL SYSTEM - INJECTOR - BEFORE ENGINE S/N 776978
0.14.0/ H		(VAR.123) EMISSIONIZED ENGINE - INJECTION PUMP - PARTS
0.14.0/ I	01	(VAR.123) EMISSIONIZED ENGINE - INJECTION PUMP - PARTS
0.14.0/ I	02	(VAR.123) EMISSIONIZED ENGINE - INJECTION PUMP - PARTS
0.14.0/ I	03	(VAR.123) EMISSIONIZED ENGINE - INJECTION PUMP - PARTS
0.14.0/ I	04	(VAR.123) EMISSIONIZED ENGINE - INJECTION PUMP - SHIMS
0.14.0/ I	05	(VAR.123) EMISSIONIZED ENGINE - INJECTION PUMP - SHIMS
0.14.0/ I	06	(VAR.123) EMISSIONIZED ENGINE - INJECTION PUMP - SHIMS
0.14.0/ I	07	(VAR.123) EMISSIONIZED ENGINE - INJECTION PUMP - SHIMS
0.14.0/ L		(VAR.123) EMISSIONIZED ENGINE - INJECTION PUMP
0.14.0/ M	01	(VAR.123) EMISSIONIZED ENGINE - INJECTION PUMP - PARTS
0.14.0/ M	02	(VAR.123) EMISSIONIZED ENGINE - INJECTION PUMP - PARTS
0.14.0/ M	03	(VAR.123) EMISSIONIZED ENGINE - INJECTION PUMP - PARTS
0.14.0/ N		INJECTOR BREAKDOWN (ASY P/N 4791124) - AFTER ENGINE S/N 776979
0.14.0/ 1		(VAR.123) EMISSIONIZED ENGINE - INJECTION PUMP, PIPES AND NOZZLE
0.20.0		FUEL FILTER - FUEL PUMP
0.20.0/ 1		(VAR.130) FUEL FILTER
0.20.3		FUEL LINES
0.24.0	01	TURBOCHARGING
0.24.0	02	TURBOCHARGING
0.30.0		OIL PUMP
0.30.5		OIL LINES- OIL LEVEL GAUGE - PIPING - OIL COOLER
0.32.0		WATER PUMP
0.32.6		TEMPERATURE CONTROL (THERMOSTAT)
0.34.7		FAN
0.34.7/ 1		(VAR.174) FAN VISCOSTATIC JOINT (WITH CAB)
0.35.0		BELT PULLEY DRIVE & COVER
0.36.0		STARTER MOTOR
0.36.0/ A		STARTER MOTOR
0.36.0/ B		STARTER MOTOR
0.36.0/ C		STARTER MOTOR
0.40.0		ALTERNATOR
0.40.0/ A		ALTERNATOR
0.40.0/ B		ALTERNATOR
0.40.0/ C		ALTERNATOR
0.42.0		TACHOMETER DRIVE

---

## TABLE OF CONTENTS

---

0.88.0		(VAR.641-623) AIR CONDITIONING - BELTS & PULLEYS
0.88.0/ A		(VAR.641) AIR CONDITIONING - COMPRESSOR - PARTS
SEC. 01		ENGINE 1/2
SEC. 01		ENGINE 2/2
1.10.0	01	THROTTLE CONTROL LINKAGE - (W/O CAB) - LEVER, PEDAL, CABLE
1.10.0	02	THROTTLE CONTROL LINKAGE - (W/O CAB) - FLEXIBLE CABLE, LEVER
1.10.0	03	THROTTLE CONTROL LINKAGE - (W/O CAB) - LEVER SUPPORTS, LEVER
1.14.0		FUEL TANK - PIPING
1.14.0/ 1		(VAR.042) ADDITIONAL FUEL TANK
1.14.7		FUEL TANK SUPPORT - BRACKETS, TIE-RODS - SUPPORTS
1.14.7/ 1		(VAR.131-132) FIRE SHIELD AND TANK
1.14.7/ 2		(VAR.275-279) POWER SHUTTLE - HI-LO - 30-40 KMH - HYDRAULIC PTO - TANK SUPPORT
1.15.1	01	MUFFLER - W/CAB - GUARDS
1.15.1	02	SILENCER (MUFFLER) - W/CAB - GUARDS
1.15.1	03	SILENCER (MUFFLER) - L/CAB - EXTENSION, GUARDS
1.15.1/ 1	01	(VAR.199) SELF-CLEANING FILTER (WITH CAB)
1.15.1/ 1	02	(VAR.199) SELF-CLEANING FILTER (W/CAB)
1.17.0		RADIATOR AND COOLING TANK
1.17.2		RADIATOR HOSES
1.17.5		RADIATOR PROTECTIVE SEALS - CONVEYOR, GUARDS
1.19.1	01	DRY AIR CLEANER PIPES
1.19.1	02	DRY AIR CLEANER PIPES - THERMOSTARTER
1.19.1/ 1		(VAR.194) OIL BATH AIR CLEANER (W/O CAB)
1.19.1/ 1A		(VAR.194) OIL BATH AIR CLEANER (W/O CAB)
SEC. 02		ENGINE EQUIP.
1.21.0	01	TRACTOR BODY - CLUTCH BOX AND RELEVANT PARTS
1.21.0	02	TRACTOR BODY - BOX, CAPS
1.21.0/ 1		(VAR.113-119-119/1) SYNCHRONIZED CREEPER AND REVERSER UNIT - CLUTCH BOX
1.21.0/ 2		(VAR.271-272-274-276-296) (HI-LO) AND SYNCHRONIZED REVERSING GEAR - 30-40 KM/H - CLUTCH BOX
1.21.0/ 3		(VAR.275-279) POWER SHUTTLE - HI-LO - 30-40 KMH - HYDRAULIC PTO - BOXES
1.21.1		AXLE FASTENING FRONT SUPPORT
1.21.1/ 1		(VAR.039) STANDARD - AXLE SUPPORT (4WD)
1.25.0		CLUTCH - SHAFT, RETAINING RINGS
1.25.0/ A		CLUTCH - PARTS
1.25.0/ 1		(VAR.039) STANDARD - CLUTCH - RELEVANT PARTS AND COMPONENTS
1.25.0/ 2		(VAR.248-249) CLUTCH WITH CERAMETALLIX PADS

---

TABLE OF CONTENTS

---

1.25.0/ 3		(VAR.275-279) POWER SHUTTLE - HI-LO - 30-40 KMH - HYDRAULIC PTO - COUPLING, SHAFT AND COVER
1.25.3		P.T.O. ENGAGEMENT CLUTCH - SHAFT, SLEEVE
1.26.2		FRICITION CLUTCH CONTROL, COUPLING FORK, LEVERS & TIE-RODS
1.27.1	01	(VAR.271-272-274-276-296) (HI-LO) AND SYNCHRONIZED REVERSING GEAR - 30-40 KM/H - GEARS
1.27.1	02	(VAR.271-272-274-276-296) (HI-LO) AND SYNCHRONIZED REVERSING GEAR - 30-40 KM/H - CLUTCH SHAFT
1.27.1	03	(VAR.271-272-274-276-296) (HI-LO) AND SYNCHRONIZED REVERSING GEAR - 30-40 KM/H - GEARS
1.27.1	04	(VAR.271-272-274-276-296) (HI-LO) AND SYNCHRONIZED REVERSING GEAR - 30-40 KM/H - SHAFTS & BEARINGS
1.27.1/ 1	01	(VAR.274) (HI-LO) AND SYNCHRONIZED REVERSING GEAR - 40 KM/H HYDRAULIQUE P.T.O.- (4WD) - GEARS
1.27.1/ 1	02	(VAR.274) (HI-LO) AND SYNCHRONIZED REVERSING GEAR - 40 KM/H HYDRAULIQUE P.T.O.- (4WD) - CLUTCH SHAFT
1.27.1/ 2		(VAR.275) POWER SHUTTLE - HI-LO - 40KMH-HYDRAULIC PTO - GEARS
1.27.1/ 3		(VAR.274-276) (HI-LO) AND SYNCHRONIZED REVERSING GEAR - 30-40 KM/H P.T.O. - CLUTCH SHAFT
1.27.1/ 4		(VAR.275-279) POWER SHUTTLE - HI-LO - 30-40 KMH - HYDRAULIC PTO -- GEARS
1.27.1/ 5	01	(VAR.275-279) POWER SHUTTLE - HI-LO - 30-40 KMH - HYDRAULIC PTO - DRIVE SHAFTS
1.27.1/ 5	02	(VAR.275-279) POWER SHUTTLE - HI-LO - 30-40 KMH - HYDRAULIC PTO - DRIVEN SHAFT & CLUTCH
1.27.1/ 5	03	(VAR.275-279) POWER SHUTTLE - HI-LO - 30-40 KMH - HYDRAULIC PTO - SHAFTS AND GEARS
1.27.2		(VAR272) (HI-LO) AND SYNCHRONIZED REVERSING GEAR - GEARS & ELECTRIC CABLE
1.27.3	01	(VAR.271-272-274-276-296) (HI-LO) AND SYNCHRONIZED REVERSING GEAR - 30-40 KM/H - MANIFOLD AND PIPES
1.27.3	02	(VAR.271-272-274-276-296) (HI-LO) AND SYNCHRONIZED REVERSING GEAR - 30-40 KM/H - DRIVEN SHAFT
1.27.3/ 1	01	(VAR.275-279) POWER SHUTTLE - HI-LO - 30-40 KMH - HYDRAULIC PTO - CLUTCH AND PARTS
1.27.3/ 1	02	(VAR.275-279) POWER SHUTTLE - HI-LO - 30-40 KMH - HYDRAULIC PTO - MANIFOLD & UNIONS
1.27.3/ 1	03	(VAR.275-279) POWER SHUTTLE - HI-LO - 30-40 KMH - HYDRAULIC PTO - OIL FILTER & PIPES
1.27.4	01	(VAR.271-272-274-276-296) (HI-LO) AND SYNCHRONIZED REVERSING GEAR - 30-40 KM/H - CONTROL PARTS
1.27.4	02	(VAR.271-272-274-276-296) (HI-LO) AND SYNCHRONIZED REVERSING GEAR - 30-40 KM/H - CONTROL VALVE PIPES
1.27.4	03	(VAR.271-272-274-276-296) (HI-LO) AND SYNCHRONIZED REVERSING GEAR - 30-40 KM/H - CONTROL VALVE
1.27.4	04	(VAR.271-272-274-276-296) (HI-LO) AND SYNCHRONIZED REVERSING GEAR - 30-40 KM/H - CONTROL VALVE
1.27.7	01	(VAR.271-272-274-276-296) (HI-LO) AND SYNCHRONIZED REVERSING GEAR - 30-40 KM/H - HEAT EXCHANGER
1.27.7	02	(VAR.271-272-274-276-296) (HI-LO) AND SYNCHRONIZED REVERSING GEAR - 30-40 KM/H - HEAT EXCHANGER
1.27.7/ 1		(VAR.275-279) POWER SHUTTLE - HI-LO - 30-40 KMH - HYDRAULIC PTO - HEAT EXCHANGER & PIPES
1.28.1	01	TRANSMISSION GEARS - GEARBOX SHAFT, GEARINGS
1.28.1	02	TRANSMISSION GEARS - DRIVEN SHAFT, SYNCHRO
1.28.1	03	TRANSMISSION GEARS - GEARBOX REVERSE CLUTCH SHAFT
1.28.1	04	TRANSMISSION GEARS - GEARS
1.28.1	05	TRANSMISSION GEARS - REVERSE TRANSMISSION GEARS



---

## TABLE OF CONTENTS

---

1.28.1/ 1	01	(VAR.109-110) SYNCHRONIZED MECHANICAL REVERSER UNIT - SHAFTS AND GEARS
1.28.1/ 1	02	(VAR.109-110) SYNCHRONIZED MECHANICAL REVERSER UNIT - SHAFTS AND GEARS
1.28.1/ 1	03	(VAR.109-110) SYNCHRONIZED MECHANICAL REVERSER UNIT - 4WD - SHAFTS AND GEARS
1.28.1/ 2	01	(VAR.113-119-119/1) SYNCHRONIZED CREEPER AND REVERSER UNIT - SHAFTS AND GEARS
1.28.1/ 2	02	(VAR.113-119-119/1) SYNCHRONIZED CREEPER AND REVERSER UNIT - SHAFTS AND GEARS
1.28.1/ 2	03	(VAR.113-119-119/1) SYNCHRONIZED CREEPER AND REVERSER UNIT - SHAFTS AND GEARS
1.28.1/ 2	04	(VAR.113-119-119/1) SYNCHRONIZED CREEPER AND REVERSER UNIT - 4WD - SHAFTS AND GEARS
1.28.1/ 3		(VAR.119/1) SYNCHRONIZED CREEPER AND REVERSER UNIT 200 M/H - SHAFTS AND GEARS
1.28.1/ 4	01	(VAR.273-277) MECHANICAL OVER-DRIVE (40 KM/H) - 4WD - CLUTCH SHAFT & GEARS
1.28.1/ 4	02	(VAR.273-277) MECHANICAL OVER-DRIVE (40 KM/H) - 4WD - DRIVEN SHAFT & COVER
1.29.0		TRANSMISSION INTERNAL SHIFTING CONTROLS - RODS, FORKS
1.29.0/ 1		(VAR.109-110) SYNCHRONIZED MECHANICAL REVERSER UNIT - CONTROL FORK
1.29.0/ 2		(VAR.113-119-119/1) SYNCHRONIZED CREEPER AND REVERSER UNIT - ROD AND FORK
1.29.0/ 3		(VAR.271-272-274-276-296) (HI-LO) AND SYNCHRONIZED REVERSING GEAR - 30-40 KM/H - ROD AND FORK
1.29.0/ 4		(VAR.273-277) MECHANICAL OVER-DRIVE (40 KM/H) - 4WD - CONTROL FORK AND PARTS
1.29.0/ 5		(VAR.275-279) POWER SHUTTLE - HI-LO - 30-40 KMH - HYDRAULIC PTO - ROD AND FORK
1.29.1		TRANSMISSION ESTERNALSHIFTING CONTROLS - LOWER LEVER, ROD
1.32.0		CASINGS, COVERS AND SUPPORTS
1.32.1	01	CENTRAL REDUCTION GEARS - SLOW SPEED DRIVEN GEAR
1.32.1	02	CENTRAL REDUCTION GEARS - MEDIUM SPEED ENGAGING GEAR
1.32.1	03	CENTRAL REDUCTION GEARS - ADJUSTING SHIMS
1.32.1/ 1		(VAR.271-272-274-276-296) (HI-LO) AND SYNCHRONIZED REVERSING GEAR - 30-40 KM/H - SLEEVES
1.32.1/ 2		(VAR.304/1) FRONT AXLE WITH 2 HYDR. LOCKING CYLINDERS 40 KM/H - REAR BEVEL GEAR PAIR
1.32.1/ 3		(VAR.308/1) FRONT AXLE CL. 2 HYDR. LOCKING 40 KM/H HYDR. REAR DRIVE - REAR BEVEL GEAR PAIR
1.32.1/ 4		(VAR.320) HIGH SPEED RING GEAR AND PINION - 4WD - REAR BEVEL GEAR PAIR
1.32.1/ 5		(VAR.322) HIGH SPEED RING GEAR AND PINION - 4WD - REAR BEVEL GEAR PAIR
1.32.1/ 6	01	(VAR.325) ELECTROHYD. FRONT DIFFENTIAL LOCK 40 KM/H, BRAKES AND MUDGUARDS - REAR BEVEL GEAR PAIR
1.32.1/ 6	02	(VAR.325) ELECTROHYD. FRONT DIFFENT. LOCK 40 KM/H, BRAKES AND MUDGUARDS - SHAFTS AND BEVEL GEAR PAIR
1.32.2		CENTRAL REDUCTION GEARS CONTROLS - RODS & FORKS, RELEVANT PARTS
1.32.4	01	DIFFERENTIAL GEARS - PARTS
1.32.4	02	DIFFERENTIAL GEARS - PARTS
1.32.4	03	DIFFERENTIAL GEARS - PARTS
1.32.4/ 1		(VAR.308-308/1) FRONT AXLE CL.2 HYDR. LOCKING 30-40 KM/H HYDR. REAR DRIVE- BEVEL GEAR PAIR
1.32.4/ 2		(VAR.415) FRONT AXLE CL. 2/BRAKE, FRONT MUDGARD HYDR. DIFF. LOCK. HYDR. TRANSM. - BEVEL GEAR PAIR
1.32.4/ 3		(VAR.451) STIFFENED SIDE REDUCTION UNITS - DIFFERENTIAL AND RELEVANT PARTS, BEVEL GEAR PAIR

---

TABLE OF CONTENTS

---

1.32.6	01	DIFFERENTIAL LOCK - RODS & FORKS
1.32.6	02	DIFFERENTIAL LOCK - RODS & FORKS
1.32.6/ 1		(VAR.007) NASO - POWER TAKEOFF - ROD AND FORKS
1.32.6/ 2		(VAR.039) STANDARD - FORK SHAFT AND DIFFERENTIAL LOCK SLEEVE (2WD)
1.32.6/ 3		(VAR.308-308/1) FRONT AXLE CLASS 2 HYDR. LOCKING 30-40 KM/H HYDR. REAR DRIVE - ROD AND FORK
1.32.6/ 4		(VAR.296) (HI-LO) AND SYNCHR. REVERSING GEAR - 30 KM/H WITH DIFF. HYDR.LOCKING - ROD AND FORK
1.32.6/ 5		(VAR.415) FRONT AXLE CL. 2/BRAKE, FRONT MUDGARD HYDR. DIFF. LOCK. HYDR. TRANSM. - ROD AND FORK
1.32.6/ 6		(VAR.727) SYNCHRO MESH GEARED POWER TAKE -OFF 540 RPM - ROD AND FORK
1.32.6/ 7		(VAR.729) SYNCHRO MESH GEARED POWER TAKE -OFF 540 - 750 - 1000 RPM - ROD AND FORK
1.44.0		(VAR.225-226-227) FRONT SUPPORT AND BALLAST
SEC. 03		TRANSMISSION
1.33.0		IDLER CASE & COVERS - 4WD
1.33.1	01	IDLER GEARS - 4WD - GEARS
1.33.1	02	IDLER GEARS - 4WD - PTO SHAFT
1.33.2	01	IDLER CONTROLS - 4WD - PIPES & SOLENOID VALVES
1.33.2	02	IDLER CONTROLS - 4WD - VALVE SUPPORT & PIPES
1.33.2/ 1		(VAR.007) NASO - POWER TAKEOFF - SOLENOID VALVES & SUPPORT
1.33.2/ 2		(VAR.007/1) NASO - P.T.O. SOLENOID VALVE
1.33.2/ 3		(VAR.039) STANDARD - IDLER CONTROLS - (4WD)
1.33.2/ 4		(VAR.271-272-274-276-296) (HI-LO) AND SYNCHRON. REVERSING GEAR - 30-40 KM/H - CONTROL VALVE
1.33.2/ 5		(VAR.274) (HI-LO) AND SYNCHRONIZED REVERS. GEAR - 40 KM/H HYDR. P.T.O.- (4WD) - SOLENOID VALVE SUPP.
1.33.2/ 6		(VAR.274-276) (HI-LO) AND SYNCHRON. REVERSING GEAR - 30-40 KM/H P.T.O. - SOLENOID VALVE SUPP.
1.33.2/ 7		(VAR.304-304/1) FRONT AXLE WITH 2 HYDR. LOCKING CYLINDERS 30-40 KM/H - PIPES
1.33.2/ 8	01	(VAR.275-279) POWER SHUTTLE - HI-LO - 30-40 KMIH - HYDR. PTO - PIPES & VALVE SUPPORT
1.33.2/ 8	02	(VAR.275-279) POWER SHUTTLE - HI-LO - 30-40 KMIH - HYDRAULIC PTO - VALVE SUPPORT
1.33.2/ 8	03	(VAR.275-279) POWER SHUTTLE - HI-LO - 30-40 KMIH - HYDR. PTO - FRONT DIFFERENTIAL LOCK PIPES
1.33.2/ 9		(VAR.296) (HI-LO) AND SYNCHRONIZED REVERS. GEAR - 30 KM/H WITH DIFFER. HYDR.LOCKI - SOLENOID VALVE
1.33.2/10		(VAR.308-308/1) FRONT AXLE CL. 2 HYDR. LOCKING 30-40 KM/H HYDR. REAR DRIVE - PIPES
1.33.2/11		(VAR.322) HIGH SPEED RING GEAR AND PINION - 4WD - PIPES
1.33.2/12		(VAR.325) ELECTROHYD. FRONT DIFFENTIAL LOCK 40 KM/H, BRAKES AND MUDGUARDS - PIPES
1.33.2/13		(VAR.327-327/1) FRONT DIFFERENTIAL HYDRAULIC LOCKING - PIPES
1.33.2/14		(VAR.415) FRONT AXLE CL. 2/BRAKE, FRONT MUDGARD HYDR. DIFF. LOCK. HYDR. TRANSM. - PIPES
1.33.2/15		(VAR.422) VERSION FOR JAPAN - HYDRAULIC LINES - PIPES
1.33.2/16	01	(VAR.727) SYNCHRO MESH GEARED POWER TAKE -OFF 540 RPM - LEVERS

---

TABLE OF CONTENTS

---

1.33.2/16	02	(VAR.727) SYNCHRO MESH GEARED POWER TAKE -OFF 540 RPM - VALVE SUPPORT
1.33.2/17	01	(VAR.729) SYNCHRO MESH GEARED POWER TAKE -OFF 540 - 750 - 1000 RPM - CONTROL LEVERS
1.33.2/17	02	(VAR.729) SYNCHRO MESH GEARED POWER TAKE -OFF 540 - 750- 1000 RPM - VALVE SUPPORT
1.34.2		REVERSER CONTROL - LEVERS & TIE-RODS
1.34.2/ 1		(VAR.109-110) SYNCHRONIZED MECHANICAL REVERSER UNIT -LEVER, CROSS-PIECE AND PARTS
1.34.2/ 2	01	(VAR.113-119-119/1) SYNCHRONIZED CREEPER AND REVERSER UNIT - CROSS-PIECE AND PARTS
1.34.2/ 2	02	(VAR.113-119-119/1) SYNCHRONIZED CREEPER AND REVERSER UNIT - CROSS-PIECE AND PARTS
1.34.2/ 3		(VAR.271-272-274-276-296) (HI-LO) AND SYNCHRON. REVERSING GEAR - 30-40 KM/H - CROSS-PIECE AND PARTS
1.34.2/ 4		(VAR.273-277) MECHANICAL OVER-DRIVE (40 KM/H) - 4WD - CROSS-PIECE AND PARTS
1.38.5		PROPELLER SHAFT - 4WD - GUARD
1.38.5/ 1		(VAR.053) PROPELLER SHAFT - KOREA - FRONT DRIVE SHAFT
1.38.5/ 2		(VAR.449) PADDY FIELD VERSION - 4WD - FRONT DRIVE SHAFT
1.40.0/ 1		FRONT AXLE CASING - 4WD - BOX & RELEVANT PARTS
1.40.0/ 2	01	FRONT AXLE - STEERING KNUCKLES-HUBS-4WD
1.40.0/ 2	02	FRONT AXLE - STEERING KNUCKLES-HUBS-4WD
1.40.0/ 4		FRONT AXLE - SUPPORT-ROD-4WD
1.40.0/ 5		(VAR.304-304/1) FRONT AXLE WITH 2 HYDR. LOCKING CYLINDERS 30-40 KM/H - SLEEVES
1.40.0/ 6	01	FRONT AXLE - BEVEL GEAR PINION SET - 4 WD
1.40.0/ 6	02	FRONT AXLE - BEVEL GEAR/PINION SET - 4WD - ADJUSTING SHIMS
1.40.0/ 6	03	FRONT AXLE - BEVEL GEAR/PINION SET - 4WD - ADJUSTING SHIMS
1.40.0/ 7	01	FRONT AXLE-DIFFERENTIAL - 4WD - PARTS
1.40.0/ 7	02	FRONT AXLE-DIFFERENTIAL - 4WD - PARTS
1.40.0/ 8		(VAR.308-308/1) FRONT AXLE CL.2 HYDR. LOCKING 30-40 KM/H HYDR. REAR DRIVE - SUPPORT PARTS
1.40.0/10	01	FRONT AXLE - DIFFERENTIAL GEARS AND SHAFT - 4WD - HALF-SHAFTS - C4689
1.40.0/10	01A	FRONT AXLE - DIFFERENTIAL GEARS AND SHAFT - 4WD - HALF- SHAFT - D4689
1.40.0/10	02	FRONT AXLE - DIFFERENTIAL GEARS AND SHAFT - 4WD - EPICYCLIC REDUCTION GEAR
1.40.0/10	03	FRONT AXLE - DIFFERENTIAL GEARS AND SHAFT - 4WD - HALF-SHAFTS
1.40.0/10	04	FRONT AXLE - DIFFERENTIAL GEARS AND SHAFT - 4WD - EPICYCLIC REDUCTION GEAR - C4998
1.40.0/10	04A	FRONT AXLE - DIFFERENTIAL GEARS AND SHAFT - 4WD - EPICYCLIC REDUCTION GEAR - D4998
1.40.0/101	01	(VAR.039) STANDARD - FRONT AXLE - DIFFERENTIAL GEARS AND SHAFT - 4WD
1.40.0/101	02	(VAR.039) STANDARD - FRONT AXLE - GEARS AND DIFFERENTIAL SHAFT - 4WD - C4998
1.40.0/101	02A	(VAR.039) STANDARD - FRONT AXLE - GEARS AND DIFFERENTIAL SHAFT - 4WD - D4998
1.40.0/102	01	(VAR.304-304/1) FRONT AXLE WITH 2 HYDR. LOCKING CYLINDERS 30-40 KM/H - HALF SHAFTS - C4689
1.40.0/102	02	(VAR.304-304/1) FRONT AXLE WITH 2 HYDR. LOCKING CYLINDERS 30-40 KM/H - HALF SHAFTS - D4689
1.40.0/103	01	(VAR.308-308/1) FRONT AXLE CL. 2 HYDR. LOCKING 30-40 KM/H HYDR. REAR DRIVE - HALF SHAFTS

## TABLE OF CONTENTS

1.40.0/103	02	(VAR.308-308/1) FRONT AXLE CL. 2 HYDR. LOCKING 30-40 KM/H HYDR. REAR DRIVE - REDUCTION GEARS - C4998
1.40.0/103	02A	(VAR.308-308/1) FRONT AXLE CL. 2 HYDR. LOCKING 30-40 KM/H HYDR. REAR DRIVE - REDUCTION GEARS - D4998
1.40.0/104	01	(VAR.322) HIGH SPEED RING GEAR AND PINION - 4WD - HALF SHAFT- C4689
1.40.0/104	02	(VAR.322) HIGH SPEED RING GEAR AND PINION - 4WD - HALF SHAFTS - D4689
1.40.0/104	03	(VAR.322) HIGH SPEED RING GEAR AND PINION - 4WD - HALF SHAFTS
1.40.0/105	01	(VAR.325) ELECTROHYD. FRONT DIFFENTIAL LOCK 40 KM/H, BRAKES AND MUDGUARDS - HALF SHAFTS - C4689
1.40.0/105	02	(VAR.325) ELECTROHYD. FRONT DIFFENTIAL LOCK 40 KM/H, BRAKES AND MUDGUARDS - HALF SHAFTS - D4689
1.40.0/105	03	(VAR.325) ELECTROHYD. FRONT DIFFENTIAL LOCK 40 KM/H, BRAKES AND MUDGUARDS - HALF SHAFTS
1.40.0/105	04	(VAR.325) ELECTROHYD. FRONT DIFFENTIAL LOCK 40 KM/H, BRAKES AND MUDGUARDS - BRAKE PARTS
1.40.0/105	05	(VAR.325) ELECTROHYD. FRONT DIFFENTIAL LOCK 40 KM/H, BRAKES AND MUDGUARDS - BRAKE PARTS
1.40.0/106	01	(VAR.327-327/1) FRONT DIFFERENTIAL HYDRAULIC LOCKING - HALF SHAFTS - C4689
1.40.0/106	02	FRONT DIFFERENTIAL HYDRAULIC LOCKING - HALF SHAFTS - D4689
1.40.0/106	03	(VAR.327-327/1) FRONT DIFFERENTIAL HYDRAULIC LOCKING - HALF SHAFTS
1.40.0/107	01	(VAR.327/1) ELECTROHYD. FRONT DIFFENTIAL LOCK, BRAKES AND MUDGUARDS - HALF SHAFTS - C4689
1.40.0/107	02	(VAR.327/1) ELECTROHYD. FRONT DIFFENTIAL LOCK, BRAKES AND MUDGUARDS - HALF SHAFTS - D4689
1.40.0/107	03	(VAR.327/1) ELECTROHYD. FRONT DIFFENTIAL LOCK, BRAKES AND MUDGUARDS - HALF SHAFTS
1.40.0/107	04	(VAR.327/1) ELECTROHYD. FRONT DIFFENTIAL LOCK, BRAKES AND MUDGUARDS - BRAKE PARTS
1.40.0/107	05	(VAR.327/1) ELECTROHYD. FRONT DIFFENTIAL LOCK, BRAKES AND MUDGUARDS - BRAKE PARTS
1.40.0/108		(VAR.415) FRONT AXLE CL. 2/BRAKE, FRONT MUDGARD HYDR. DIFF. LOCK. HYDR. TRANSM. - RIM, GEARS
1.40.0/11		(VAR.308-308/1) FRONT AXLE CLASS 2 HYDR. LOCKING 30-40 KM/H HYDR. REAR DRIVE - AXLE BOX
1.40.0/12	01	FRONT AXLE - HYDRAULIC STEERING CYLINDER - 4WD - PARTS
1.40.0/12	02	FRONT AXLE - HYDRAULIC STEERING CYLINDER - 4WD - PARTS
1.40.0/12	03	FRONT AXLE - HYDRAULIC STEERING CYLINDER - 4WD - PIPES
1.40.0/121	01	(VAR.039) STANDARD - FRONT AXLE - HYDRAULIC STEERING CYLINDER - 4WD
1.40.0/121	02	STANDARD - FRONT AXLE - HYDRAULIC STEERING CYLINDER - 4WD (VAR.039)
1.40.0/122		(VAR.304-304/1) FRONT AXLE WITH 2 HYDR. LOCKING CYLINDERS 30-40 KM/H - POWER STEERING CYLINDERS
1.40.0/123	01	(VAR.308-308/1) FRONT AXLE CL.2 HYDR. LOCKING 30-40 KM/H HYDR. REAR DRIVE - CYLINDERS
1.40.0/123	02	(VAR.308-308/1) FRONT AXLE CL. 2 HYDR. LOCK. 30-40 KM/H HYDR. REAR DRIVE - PIPES
1.40.0/124		(VAR.325) ELECTROHYD. FRONT DIFFENTIAL LOCK 40 KM/H, BRAKES AND MUDGUARDS - CYLINDERS AND PIPES
1.40.0/125		(VAR.415) FRONT AXLE CL. 2/BRAKE, FRONT MUDGARD HYDR. DIFF. LOCK. HYDR. TRANSM. - POWER STEER. CYLIN.
1.40.0/126	01	(VAR.422) VERSION FOR JAPAN - POWER STEERING CYLINDER, PARTS
1.40.0/126	02	(VAR.422) VERSION FOR JAPAN - POWER STEERING CYLINDER, PARTS
1.40.0/13		(VAR.039) STANDARD - FRONT AXLE CASING - 4WD
1.40.0/14	01	(VAR.415) FRONT AXLE CL. 2/BRAKE, FRONT MUDGARD HYDR. DIFF. LOCK. HYDR. TRANSM. - FRONT AXLE - C4998

---

**TABLE OF CONTENTS**

---

1.40.0/14	01A	(VAR.415) FRONT AXLE CL. 2/BRAKE, FRONT MUDGARD HYDR. DIFF. LOCK. HYDR. TRANSM. - FRONT AXLE - D4998
1.40.0/21		(VAR.039) STANDARD - FRONT AXLE - STEERING KNUCKLES-HUBS-4WD
1.40.0/22		(VAR.308-308/1) FRONT AXLE CL.2 HYDR. LOCKING 30-40 KM/H HYDR. REAR DRIVE - STEERING PIVOT PIN
1.40.0/23	01	(VAR.325) ELECTROHYD. FRONT DIFFENTIAL LOCK 40 KM/H, BRAKES AND MUDGUARDS - STEERING PIVOT PIN
1.40.0/23	02	(VAR.325) ELECTROHYD. FRONT DIFFENTIAL LOCK 40 KM/H, BRAKES AND MUDGUARDS - STEERING PIVOT PIN
1.40.0/24	01	(VAR.327/1) ELECTROHYD. FRONT DIFFENTIAL LOCK, BRAKES AND MUDGUARDS - STEERING PIVOT PIN
1.40.0/24	02	(VAR.327/1) ELECTROHYD. FRONT DIFFENTIAL LOCK, BRAKES AND MUDGUARDS - STEERING PIVOT PIN
1.40.0/25		(VAR.415) FRONT AXLE CL. 2/BRAKE, FRONT MUDGARD HYDR. DIFF. LOCK. HYDR. TRANSM. - STEERING PIVOT PIN
1.40.0/41		(VAR.039) STANDARD - FRONT AXLE - SUPPORT-ROD-4WD
1.40.0/42		(VAR.304-304/1) FRONT AXLE WITH 2 HYDR. LOCKING CYLIND. 30-40 KM/H - STEERING PIVOT PIN AND SUPPORT
1.40.0/43		(VAR.308-308/1) FRONT AXLE CL.2 HYDR. LOCKING 30-40 KM/H HYDR. REAR DRIVE - STEERING TIE-ROD
1.40.0/44	01	(VAR.322) HIGH SPEED RING GEAR AND PINION - 4WD - BEVEL GEAR PAIR & SUPPORT
1.40.0/44	02	(VAR.322) HIGH SPEED RING GEAR AND PINION - 4WD - BEVEL GEAR PAIR & SUPPORT
1.40.0/44	03	(VAR.322) HIGH SPEED RING GEAR AND PINION - 4WD - SLEEVES AND COVER PLATE
1.40.0/44	04	(VAR.322) HIGH SPEED RING GEAR AND PINION - 4WD - SLEEVES AND COVER PLATE
1.40.0/45	01	(VAR.325) ELECTROHYD. FRONT DIFFENTIAL LOCK 40 KM/H, BRAKES AND MUDGUARDS - SUPPORT
1.40.0/45	02	(VAR.325) ELECTROHYD. FRONT DIFFENTIAL LOCK 40 KM/H, BRAKES AND MUDGUARDS - SUPPORT
1.40.0/45	03	(VAR.325) ELECTROHYD. FRONT DIFFENTIAL LOCK 40 KM/H, BRAKES AND MUDGUARDS - SLEEVES
1.40.0/45	04	(VAR.325) ELECTROHYD. FRONT DIFFENTIAL LOCK 40 KM/H, BRAKES AND MUDGUARDS - SLEEVES
1.40.0/46	01	(VAR.327-327/1) FRONT DIFFERENTIAL HYDRAULIC LOCKING - SUPPORT AND SHIMS
1.40.0/46	02	(VAR.327-327/1) FRONT DIFFERENTIAL HYDRAULIC LOCKING - SUPPORT AND SHIMS
1.40.0/46	03	(VAR.327-327/1) FRONT DIFFERENTIAL HYDRAULIC LOCKING - SLEEVES AND COVER PLATE
1.40.0/46	04	(VAR.327-327/1) FRONT DIFFERENTIAL HYDRAULIC LOCKING - SLEEVES AND COVER PLATE
1.40.0/47	01	(VAR.415) FRONT AXLE CL. 2/BRAKE, FRONT MUDGARD HYDR. DIFF. LOCK. HYDR. TRANSM. - STEERING TIE-ROD
1.40.0/47	02	(VAR.415) FRONT AXLE CL.2/BRAKE, FRONT MUDGARD HYDR. DIFF. LOCK. HYDR. TRANSM. - DIFFER. COVER PLATE
1.40.0/61		(VAR.039) STANDARD - FRONT AXLE - BEVEL GEAR PINION SET - 4 WD
1.40.0/62		(VAR.304/1) FRONT AXLE WITH 2 HYDR. LOCKING CYLINDERS 40 KM/H - BOXES
1.40.0/63	01	(VAR.308-308/1) FRONT AXLE CLASS 2 HYDR. LOCKING 30-40 KM/H HYDR. REAR DRIVE - FRONT BEVEL GEAR PAIR
1.40.0/63	02	(VAR.308-308/1) FRONT AXLE CL.2 HYDR. LOCKING 30-40 KM/H HYDR. REAR DRIVE - ADJUSTING SHIMS
1.40.0/63	03	(VAR.308-308/1) FRONT AXLE CL.2 HYDR. LOCKING 30-40 KM/H HYDR. REAR DRIVE - ADJUSTING SHIMS
1.40.0/64		(VAR.308/1) FRONT AXLE CL. 2 HYDR. LOCKING 40 KM/H HYDR. REAR DRIVE - FRONT BEVEL GEAR PAIR
1.40.0/65		(VAR.320) HIGH SPEED RING GEAR AND PINION - 4WD - FRONT BEVEL GEAR PAIR
1.40.0/66		(VAR.322) HIGH SPEED RING GEAR AND PINION - 4WD - FRONT BEVEL GEAR PAIR

---

**TABLE OF CONTENTS**

---

1.40.0/67		(VAR.325) ELECTROHYD. FRONT DIFFENTIAL LOCK 40 KM/H, BRAKES AND MUDGUARDS - FRONT BEVEL GEAR PAIR
1.40.0/68	01	(VAR.415) FRONT AXLE CL. 2/BRAKE, FRONT MUDGARD HYDR. DIFF. LOCK. HYDR. TRANSM. - BEVEL GEAR PAIR
1.40.0/68	02	(VAR.415) FRONT AXLE CL. 2/BRAKE, FRONT MUDGARD HYDR. DIFF. LOCK. HYDR. TRANSM. - ADJUSTING SHIMS
1.40.0/71		(VAR.039) STANDARD - SELF-LOCKING DIFFERENTIAL
1.40.0/72		(VAR.304-304/1) FRONT AXLE WITH 2 HYDR. LOCKING CYLINDERS 30-40 KM/H - BOX AND SIDE PINIONS
1.40.0/73		(VAR.308-308/1) FRONT AXLE CL.2 HYDR. LOCKING 30-40 KM/H HYDR. REAR DRIVE - BOX AND SIDE PINIONS
1.40.0/74	01	(VAR.322) HIGH SPEED RING GEAR AND PINION - 4WD - BOX AND SIDE PINIONS
1.40.0/74	02	(VAR.322) HIGH SPEED RING GEAR AND PINION - 4WD - BOX AND SIDE PINIONS
1.40.0/75	01	(VAR.325) ELECTROHYD. FRONT DIFFENTIAL LOCK 40 KM/H, BRAKES AND MUDGUARDS - BOX AND SIDE PINIONS
1.40.0/75	02	(VAR.325) ELECTROHYD. FRONT DIFFENTIAL LOCK 40 KM/H, BRAKES AND MUDGUARDS - BOX AND SIDE PINIONS
1.40.0/76	01	(VAR.327-327/1) FRONT DIFFERENTIAL HYDRAULIC LOCKING - BOX AND SIDE PINIONS
1.40.0/76	02	(VAR.327-327/1) FRONT DIFFERENTIAL HYDRAULIC LOCKING - BOX AND SIDE PINIONS
1.40.0/77		(VAR.415) FRONT AXLE CL. 2/BRAKE, FRONT MUDGARD HYDR. DIFF. LOCK. HYDR. TRANSM. - DIFFERENTIAL BOX
1.41.0	01	FRONT AXLE - 2WD - HUBS
1.41.0	02	FRONT AXLE - 2-WD - STEERING ROD & PIPES
1.41.0/ A		FRONT AXLE - 2-WD - POWER STEERING CYLINDER - PARTS
1.41.0/ B		FRONT AXLE - 2-WD - TRANSVERSAL STEERING TIE-ROD
1.42.0	01	FRONT AXLE - 2-WD - POWER STEERING HYDRAULIC CONTROL - PUMP & PIPES
1.42.0	02	FRONT AXLE - 2-WD - POWER STEERING HYDRAULIC CONTROL - PIPES & BRACKETS
1.42.0	03	FRONT AXLE - 2-WD - POWER STEERING HYDRAULIC CONTROL - PIPES & OIL FILTER
1.42.0	04	FRONT AXLE - 2-WD - POWER STEERING HYDRAULIC CONTROL - PIPES & BRACKETS
1.42.0/ A		FRONT AXLE - OIL PUMP - RELEVANT PARTS
1.42.0/ B		FRONT AXLE - OIL PUMP - RELEVANT PARTS
1.42.0/ C		(VAR.039) STANDARD - LIFTER PUMP & RELATED PARTS
1.42.0/ D		(VAR.274-276) (HI-LO) AND SYNCHRONIZED REVERSING GEAR - 30-40 KM/H P.T.O. - OIL PUMP AND COMPONENTS
1.42.0/ 1	01	FRONT AXLE - 4-WD - POWER STEERING HYDRAULIC CONTROL - PIPES & OIL FILTER
1.42.0/ 1	02	FRONT AXLE - 4-WD - POWER STEERING HYDRAULIC CONTROL - PIPES & BRACKETS
1.42.0/ 2	01	(VAR.007) NASO - POWER STEERING TANK & PIPES
1.42.0/ 2	02	(VAR.007) NASO - POWER STEERING FILTER & PIPES
1.42.0/ 3	01	(VAR.039) STANDARD - OIL TANK - OIL PUMP AND RELEVANT PARTS (2WD)
1.42.0/ 3	02	(VAR.039) STANDARD - PIPES AND UNIONS POWER STEERING HYDRAULIC CONTROL (2WD)
1.42.0/ 5	01	(VAR.296) (HI-LO) AND SYNCHR. REV. GEAR - 30 KM/H WITH DIFF. HYDR.LOCKING - POWER STEERING TANK
1.42.0/ 5	02	(VAR.296) (HI-LO) AND SYNCHR. REV. GEAR - 30 KM/H WITH DIFF. HYDR. LOCKING - FILTER AND PIPES
1.42.0/ 6		(VAR.727) SYNCHRO MESH GEARED POWER TAKE -OFF 540 RPM - FILTER AND PIPES

---

## TABLE OF CONTENTS

---

1.42.0/ 7		(VAR.729) SYNCHRO MESH GEARED POWER TAKE -OFF 540 - 750 - 1000 RPM - FILTER & PIPES
1.43.0	01	(VAR.325) ELECTROHYD. FRONT DIFFENTIAL LOCK 40 KM/H, BRAKES AND MUDGUARDS - MUDGUARDS
1.43.0	02	(VAR.325) ELECTROHYD. FRONT DIFFENTIAL LOCK 40 KM/H, BRAKES AND MUDGUARDS - MUDGUARDS
1.43.0/ 1	01	(VAR.327/1) ELECTROHYD. FRONT DIFFENTIAL LOCK, BRAKES AND MUDGUARDS
1.43.0/ 1	02	(VAR.327/1) ELECTROHYD. FRONT DIFFENTIAL LOCK, BRAKES AND MUDGUARDS
1.43.0/ 2		(VAR.415) FRONT AXLE CL. 2/BRAKE, FRONT MUDGARD HYDR. DIFF. LOCK. HYDR. TRANSM. - MUDGUARD
SEC. 04		FRONT AXLE
1.48.0		BOX - SIDE REDUCTION GEAR SPACERS
1.48.1	01	FINAL DRIVE, GEARS AND SHAFTS
1.48.1	02	FINAL DRIVE, GEARS AND SHAFTS
1.48.1	03	FINAL DRIVE, GEARS AND SHAFTS
1.48.1	04	FINAL DRIVE, GEARS AND SHAFTS
1.48.1	05	FINAL DRIVE, GEARS AND SHAFTS
1.48.1	06	FINAL DRIVE, GEARS AND SHAFTS
1.48.1/ 1	01	(VAR.308-308/1) FRONT AXLE CL. 2 HYDR. LOCKING 30-40 KM/H HYDR. REAR DRIVE - GEAR BOX
1.48.1/ 1	02	(VAR.308-308/1) FRONT AXLE CL. 2 HYDR. LOCKING 30-40 KM/H HYDR. REAR DRIVE - WHEEL AXLE
1.48.1/ 2	01	(VAR.415) FRONT AXLE CL. 2/BRAKE, FRONT MUDGARD HYDR. DIFF. LOCK., HYDR. TRANSM.
1.48.1/ 2	02	(VAR.415) FRONT AXLE CL. 2/BRAKE, FRONT MUDGARD HYDR. DIFF. LOCK. HYDR. TRANSM. - ADJUSTING SHIMS
1.48.1/ 3		(VAR.422) VERSION FOR JAPAN - FWD SHAFT - SIDE REDUCTION GEAR BOX, SHAFT
1.48.1/ 4		(VAR.449) PADDY FIELD VERSION - SIDE REDUCTION GEAR BOX, SHAFT
1.48.1/ 5	01	(VAR.451) STIFFENED SIDE REDUCTION UNITS - REDUCTION GEAR HALF SHAFT
1.48.1/ 5	02	(VAR.451) STIFFENED SIDE REDUCTION UNITS - BOX AND FORK
1.48.2		(VAR. 465-470-471) REAR BALLAST
1.65.3		TRANSMISSION BRAKE - PARTS
1.65.5	01	PARKING BRAKE - 2WD
1.65.5	02	PARKING BRAKE - 2WD
1.65.5/ 1		PARKING BRAKE - 4WD
1.67.2		HANDBRAKE CONTROL
1.68.5		BRAKE PIPING - 2 WD
1.68.5/ 1		BRAKE PIPING
1.68.5/ 2		(VAR.007) NASO - BRAKE PIPES
1.68.5/ 3		(VAR.039) STANDARD - BRAKE PIPING - 2WD
1.68.5/ 4		(VAR.296) (HI-LO) AND SYNCHR. REV. GEAR - 30 KM/H WITH DIFF. HYDR.LOCKING - BRAKE PIPES
1.68.5/ 5	01	(VAR.325) ELECTROHYD. FRONT DIFFENTIAL LOCK 40 KM/H, BRAKES AND MUDGUARDS - BRAKE PIPES
1.68.5/ 5	02	(VAR.325) ELECTROHYD. FRONT DIFFENTIAL LOCK 40 KM/H, BRAKES AND MUDGUARDS - BRAKE PIPES

---

**TABLE OF CONTENTS**

---

1.68.5/ 5	03	(VAR.325) ELECTROHYD. FRONT DIFFENTIAL LOCK 40 KM/H, BRAKES AND MUDGUARDS - BRAKE PIPES
1.68.5/ 6	01	(VAR.327/1) ELECTROHYD. FRONT DIFFENTIAL LOCK, BRAKES AND MUDGUARDS - BRAKE PIPES
1.68.5/ 6	02	(VAR.327/1) ELECTROHYD. FRONT DIFFENTIAL LOCK, BRAKES AND MUDGUARDS - BRAKE PIPES
1.68.5/ 6	03	(VAR.327/1) ELECTROHYD. FRONT DIFFENTIAL LOCK, BRAKES AND MUDGUARDS - BRAKE PIPES
1.68.5/ 7	01	(VAR.415) FRONT AXLE CL. 2/BRAKE, FRONT MUDGARD HYDR. DIFF. LOCK. HYDR. TRANSM. - BRACKETS, PIPES
1.68.5/ 7	02	(VAR.415) FRONT AXLE CL. 2/BRAKE, FRONT MUDGARD HYDR. DIFF. LOCK. HYDR. TRANSM. - VALVE, PIPES
1.68.5/ 8		(VAR.727) SYNCHRO MESH GEARED POWER TAKE -OFF 540 RPM - BRAKES PIPES
1.68.5/ 9		(VAR.729) SYNCHRO MESH GEARED POWER TAKE -OFF 540 - 750 - 1000 RPM - BRAKE PIPES
SEC. 05		REAR AXLE
1.74.1		BATTERY MOUNTING - BATTERY
1.74.3/ 1		(VAR.007) NASO - BATTERY FASTENING
1.74.3/ 2		(VAR.007/1) NASO - BATTERY FASTENING
1.74.3/ 3		(VAR.039) STANDARD - BATTERY FASTENING
1.74.3/ 4		(VAR.710) VERSION FOR OVERSIZED BATTERY - SUPPORTS - BOX AND LADDER
1.74.3/ 5		(VAR.712) NASO - BATTERY FASTENING
1.75.0		ELECTRIC CONTROLS - LIGHT SWITCH
1.75.0/ 1		(VAR.007) NASO - ELECTRIC PARTS
1.75.0/ 2		(VAR.727) SYNCHRO MESH GEARED POWER TAKE -OFF 540 RPM - ELECTRIC COMPONENTS
1.75.0/ 3		(VAR.729) SYNCHRO MESH GEARED POWER TAKE -OFF 540 - 750 - 1000 RPM - ELECTRIC PARTS
1.75.0/ 4		(VAR.745-746) DIGITAL INSTRUMENT CLUSTER (WITH CAB) - ELECTRIC CABLES - SENSORS
1.75.0/ 5		(VAR.746/1) DIGITAL UNIT FOR HYDR. P.T.O. (POWER-SHUTTLE)
1.75.1	01	OUTLET, CONTROL PANEL AND STEERING COLUMN COVER
1.75.1	02	HORN & AUXILIARY POWER SOCKETS
1.75.1/1		(VAR.007) NASO - REAR ELECTRIC PARTS
1.75.1/2		(VAR.007/1) NASO - REAR ELECTRIC PARTS
1.75.1/3		(VAR.039) STANDARD - ELECTRIC SYSTEM CONTROLS
1.75.1/4		(VAR. 743-749-753) RADAR
1.75.3		BATTERY CABLES
1.75.4	01	VARIOUS ELECTRIC CABLES-C4547 S/N 1188704
1.75.4	02	VARIOUS ELECTRIC CABLES-C4547 S/N 1188704
1.75.4	03	VARIOUS ELECTRIC CABLES-D4547 S/N 1188705
1.75.4	04	VARIOUS ELECTRIC CABLES-D4547 S/N 1188705
1.75.4/ A		FUSE BOX
1.75.4/ 1		(VAR.275-279) POWER SHUTTLE - HI-LO - 30-40 KMH - HYDRAULIC PTO - ELECTRIC CABLES
1.75.4/ 2		(VAR.372) TRAILER BRAKE VALVE (ITALY) - SOLENOID VALVE



---

## TABLE OF CONTENTS

---

1.75.6	01	LIGHTING COMPONENTS
1.75.6	02	LIGHTING COMPONENTS - (W/O CAB)
1.75.6	03	LIGHTING COMPONENTS - (W/O CAB)
1.75.6/ A		LIGHTNING COMPONENTS - BREAKDOWN
1.77.0	01	CONNECTOR, CABLE TERMINAL
1.77.0	02	CONNECTOR, CABLE TERMINAL
1.77.0	03	CONNECTOR, CABLE TERMINAL
1.77.0	04	CONNECTOR, CABLE TERMINAL
1.77.0	05	CONNECTOR, CABLE TERMINAL
1.77.0	06	CONNECTOR, CABLE TERMINAL
1.77.0	07	CONNECTOR, CABLE TERMINAL
1.77.0	08	CONNECTOR, CABLE TERMINAL
1.77.0	09	CONNECTOR, CABLE TERMINAL
1.77.0	10	CONNECTOR, CABLE TERMINAL
SEC. 06		ELECTRICAL
1.80.1	01	POWER TAKEOFF - COVER & GUARD
1.80.1	02	POWER TAKEOFF - SHAFTS & GEARS
1.80.1	03	POWER TAKEOFF - COVER & VALVE
1.80.1	04	POWER TAKEOFF - COVER & GUARD
1.80.1	05	POWER TAKEOFF - SHAFTS & GEARS
1.80.1/ 1	01	(VAR.007) NASO - POWER TAKEOFF - COVER & GUARD
1.80.1/ 1	02	(VAR.007) NASO - POWER TAKEOFF, SHAFTS AND GEARS
1.80.1/ 2		(VAR.007/1) NASO - P.T.O. DRIVEN SHAFT
1.80.1/ 3	01	(VAR.039) STANDARD - P.T.O. COVER AND RELEVANT PARTS
1.80.1/ 3	02	(VAR.039) STANDARD - P.T.O. - GEAR SHAFTS AND RELEVANT PARTS
1.80.1/ 3	03	(VAR.039) STANDARD - P.T.O. - FORK & SPEED CONTROL ROD AND RELEVANT SUPPORTS
1.80.1/ 3	04	(VAR.039) STANDARD - P.T.O. SHAFT CONNECTING SLEEVE C4794
1.80.1/ 3	05	(VAR.039) NA ONLY - 540/1000 - P.T.O. SHAFT CONNECTING SLEEVE - D4791
1.80.1/ 4		(VAR.275-279) POWER SHUTTLE - HI-LO - 30-40 KMH - HYDRAULIC PTO - MANIFOLD & UNIONS
1.80.1/ 5	01	(VAR.727) SYNCHRO MESH GEARED POWER TAKE -OFF 540 RPM - BOX AND COVER
1.80.1/ 5	02	(VAR.727) SYNCHRO MESH GEARED POWER TAKE -OFF 540 RPM - SHAFTS
1.80.1/ 6	01	(VAR.728) SYNCHRO MESH GEARED POWER TAKE-OFF 540 RPM - 1000 RPM (NASO) - SHAFTS AND GEARS
1.80.1/ 6	02	(VAR.728) SYNCHRO MESH GEARED POWER TAKE -OFF 540 RPM - 1000 RPM (NASO) - ROD AND FORK
1.80.1/ 7	01	(VAR.729) SYNCHRO MESH GEARED POWER TAKE -OFF 540 - 750 - 1000 RPM - BOX AND COVER
1.80.1/ 7	02	(VAR.729) SYNCHRO MESH GEARED POWER TAKE -OFF 540- 750 - 1000 RPM - GEAR SHAFTS
1.80.1/ 8		(VAR.729/1) SYNCHRO MESH GEARED POWER TAKE-OFF 540 - 750 - 1000 RPM - GEAR SHAFTS

---

## TABLE OF CONTENTS

---

1.80.1/ 9		(VAR.791-793) PTO WITH 6 AND 21 GROOVES
1.80.1/10		(VAR. 810-837-849) PTO GUARD
1.80.1/11	01	(VAR.817) POWER TAKE-OFF - 540-750-1000 RPM - COVER AND SHAFT
1.80.1/11	02	(VAR.817) POWER TAKE-OFF 540-750-1000 R/M - SHAFT, GEARS, FORK
1.80.1/12	01	(VAR.818) POWER TAKE OFF - 540-750 RPM - SHAFTS AND COVER
1.80.1/12	02	(VAR.818) POWER TAKE OFF - 540-750 RPM - DRIVEN GEARS AND FORK
1.80.6		POWER TAKEOFF - PIPES
1.80.6/ 1	01	(VAR.007) NASO - POWER TAKEOFF - PIPES
1.80.6/ 1	02	(VAR.007) NASO - POWER TAKEOFF - PIPES, UNIONS & VALVE
1.80.6/ 2		(VAR.039) STANDARD - P.T.O. - PIPES AND RELEVANT PARTS
1.80.6/ 3	01	(VAR.727) SYNCHRO MESH GEARED POWER TAKE -OFF 540 RPM - BRACKETS - PIPES
1.80.6/ 3	02	(VAR.727) SYNCHRO MESH GEARED POWER TAKE -OFF 540 RPM - PIPES
1.80.6/ 4		(VAR.729) SYNCHRO MESH GEARED POWER TAKE -OFF540 - 750 - 1000 RPM - PIPES
1.80.7		POWER TAKEOFF - CLUTCH
1.80.7/ 1		(VAR.007) NASO - POWER TAKEOFF - CLUTCH
1.80.7/ 2	01	(VAR.039) STANDARD - P.T.O. - CLUTCH SHAFT AND DISKS - C4794
1.80.7/ 2	02	(VAR.039) STANDARD - P.T.O. - CLUTCH SHAFT AND DISKS - D4794
1.80.7/ 3		(VAR.727) SYNCHRO MESH GEARED POWER TAKE -OFF 540 RPM - CLUTCH DISKS
1.80.7/ 4		(VAR.729) SYNCHRO MESH GEARED POWER TAKE -OFF 540 - 750 - 1000 RPM - CLUTCH DISKS
1.82.0		LIFT - COVERS
1.82.0/ 1	01	(VAR.832-836) ELECTRONIC LIFTING - PARTS
1.82.0/ 1	02	(VAR.832-836) ELECTRONIC LIFTING - CYLINDER PRESSURE LIMITING VALVE
1.82.0/ 1	03	(VAR.832-836) ELECTRONIC LIFTING - PIPES, ARMS
1.82.0/ 1	04	(VAR.832-836) ELECTRONIC LIFTING - VALVES & PARTS
1.82.1	01	LIFT - FILTER & PIPES
1.82.1	02	LIFT - PIPES & PARTS
1.82.1	03	LIFT - PIPES & PARTS
1.82.1/ 1		(VAR.039) STANDARD - LIFTER LINES
1.82.1/ 2		(VAR.782-783) AUXILIARY JACK - ARM, BRACKET, PIPES
1.82.1/ 2A		(VAR.782) ADDITIONAL JACK - PARTS
1.82.1/ 3		(VAR.784-785-786) ADDITIONAL JACK - PIPES - UNIONS - SUPPORTS
1.82.1/ 4		(VAR.784/1) VERSION WITH TWO ADDITIONAL JACKS
1.82.2	01	LIFT EXTERNAL CONTROLS - LEVERS & SUPPORT (WITHOUT CAB)
1.82.2	02	LIFT EXTERNAL CONTROLS - TIE-RODS (WITHOUT CAB)
1.82.2	03	LIFT EXTERNAL CONTROLS - LEVERS & SUPPORT (WITHOUT CAB)
1.82.3		HYDRAULIC PUMP - PARTS

---

**TABLE OF CONTENTS**

---

1.82.3/ 1		(VAR.823-841) OVERSIZED PUMP - PARTS
1.82.4	01	LIFT CONTROL VALVE - VALVES & PARTS
1.82.4	02	LIFT CONTROL VALVE - VALVES & PARTS
1.82.4	03	LIFT CONTROL VALVE - VALVES & PARTS
1.82.5	01	LIFT - CONTROL PARTS
1.82.5	02	LIFT - CONTROL PARTS
1.82.5	03	LIFT - CONTROL PARTS
1.82.5	04	LIFT - CONTROL PARTS
1.82.6		LIFT - CYLINDER & PISTON
1.82.7	01	(VAR.336) S/D ACTING VALVES PULSON WITH AUT.RELEASE - CONTROL LEVERS
1.82.7	02	(VAR.336) S/D ACTING VALVES PULSON WITH AUT.RELEASE - PIPES
1.82.7	03	(VAR.336) S/D ACTING VALVES PULSON WITH AUT.RELEASE - CONTROL VALVES
1.82.7/ 1	01	(VAR.348) S/D ACT.VALVE WITH AUT.RELEASE FOR TRACT.WITH 1 REMOTE VALVE - CONTROL LEVERS
1.82.7/ 1	02	(VAR.348) S/D ACT.VALVE WITH AUT.RELEASE FOR TRACT.WITH 1 REMOTE VALVE - PIPES
1.82.7/ 2	01	(VAR.349) D/ACT.REM. VALVE W/AUT. RELEASE AND FLOAT FOR TRACT. WITH 2 CONTR. VALVES - CONTROL LEVERS
1.82.7/ 2	02	(VAR.349) D/ACT.REM. VALVE W/AUT. RELEASE AND FLOAT FOR TRACT. WITH 2 CONTR. VALVES - PIPES
1.82.7/ 3	01	(VAR.351) S/D ACT. VALVE WITH AUT. RELEASE - CONTROL LEVERS
1.82.7/ 3	02	(VAR.351) S/D ACT. VALVE WITH AUT. RELEASE - PIPES AND QUICK COUPLINGS
1.82.7/ 3	03	(VAR.351)S/D ACT. VALVE WITH AUT. RELEASE - CONTROL VALVES & GASKETS
1.82.7/ 3A	01	(VAR.351) S/D ACT. VALVE WITH AUT. RELEASE - CONTROL VALVE PARTS
1.82.7/ 3A	02	(VAR.351) S/D ACT. VALVE WITH AUT. RELEASE - CONTROL VALVE PARTS
1.82.7/ 4	01	(VAR.356) S/D EFF.DISTRIB. AND D/EFF.DISTRIB.WITH FLOAT AND AUTOMATIC RELEASE - CONTROL LEVERS
1.82.7/ 4	02	(VAR.356) S/D EFF.DISTRIB. AND D/EFF.DISTRIB.WITH FLOAT AND AUTOMATIC RELEASE - PIPES
1.82.7/ 4	03	(VAR.356) S/D EFF.DISTRIB. AND D/EFF.DISTRIB.WITH FLOAT AND AUTOMATIC RELEASE - CONTROL VALVES
1.82.7/ 4A	01	(VAR.356) S/D EFF.DISTRIB. AND D/EFF.DISTRIB. WITH FLOAT AND AUTOM. RELEASE - CONTROL VALVE PARTS
1.82.7/ 4A	02	(VAR.356) S/D EFF.DISTRIB. AND D/EFF.DISTRIB. WITH FLOAT AND AUTOM. RELEASE - CONTROL VALVE PARTS
1.82.7/ 5	01	(VAR.360) TWO S/D ACTING VALVES + D/ACT WITH AUT. RELEASE AND FLOAT - CONTROL LEVERS
1.82.7/ 5	02	(VAR.360) TWO S/D ACTING VALVES + D/ACT WITH AUT. RELEASE AND FLOAT - PIPES
1.82.7/ 5	03	(VAR.360) TWO S/D ACTING VALVES + D/ACT WITH AUT. RELEASE AND FLOAT - CONTROL VALVES
1.82.7/ 6	01	(VAR.365) S/D ACT. VALVE+ WITH AUT. RELEASE FLOAT AND AUT.KICK AUT. - CONTROL LEVERS
1.82.7/ 6	02	(VAR.365) S/D ACT. VALVE+ WITH AUT. RELEASE FLOAT AND AUT.KICK AUT. - PIPES
1.82.7/ 6	03	(VAR.365) S/D ACT. VALVE+ WITH AUT. RELEASE FLOAT AND AUT.KICK AUT. - CONTROL VALVES
1.82.7/ 7	01	(VAR.366) SINGLE-DOUBLE EFFECT DISTRIBUTOR - CONTROL LEVERS
1.82.7/ 7	02	(VAR.366) SINGLE-DOUBLE EFFECT DISTRIBUTOR - PIPES AND QUICK COUPLINGS

**Thanks very much for your reading,  
Want to get more information,  
Please click here, Then get the complete  
manual**

**JustClickHere** 

**NOTE:**

**If there is no response to click on the link above,  
please download the PDF document first, and then  
click on it.**

**Have any questions please write to me:  
[admin@servicemanualperfect.com](mailto:admin@servicemanualperfect.com)**